

## RAF SERIES - PN16

### RAF 60

#### Pressure Reducing Control Valve

#### 2-W Metal Pilot

The RAF 60 pressure reducing valve is line pressure hydraulically actuated, 2-W pilot. The RAF 60 maintains constant downstream pressure, as set on the 2-W pressure reducing pilot, regardless of flow changes, or upstream pressure change.

The 2-W pilot configuration together with Raphael's patented diaphragm configuration enable smooth and precise downstream pressure control.

Maximal Nominal Pressure: 16 bar

Setting Range: 0.5 to 16 bar



#### MARKETS



Green house



Landscape



Mechanised Irrigation



Open field Irrigation



Water Transmission

#### TECHNICAL DATA

**Fluid:** Fluid: raw water or filtered water

**Nominal Diameter (DN):** from 50 to 400 mm (2" to 16")

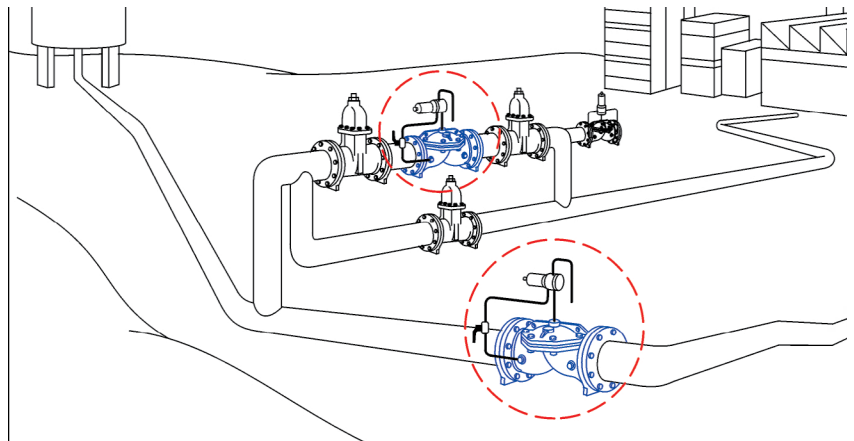
**Available connections:** Flanged, Threaded or Grooved

**Nominal Pressure (PN):** 16 bar

**Medium Temperature:** up to 70 °C

**Body material:** Ductile Iron

**Standard Controls:** RAF 60 pressure reducing valve controls with Raphael's 2-W pressure reducing brass pilot P-161, reinforced plastic tubing and brass fittings.



#### TYPICAL APPLICATIONS

- Water supply systems with medium pressure rating.
- Irrigation water distribution and field control.

#### ADJUSTMENTS

Downstream pressure adjustment up to 16 bars.

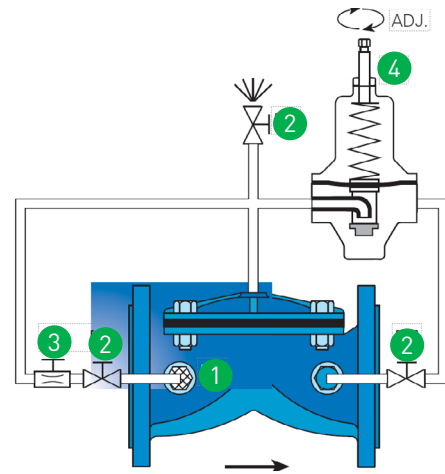
For pressure setting by pilot screw adjustment, please refer to available springs list.

## FEATURES

- RAF valve two-layered Epoxy-polyester coated
- Self-cleaning screen filter
- 2-W pilot P-161
- Needle valve
- Reinforced plastic tubing
- Glycerin filled pressure gauge

## OPTIONAL FEATURES:

- Rilsan coating
- Large capacity external filter
- Stainless steel pilot and needle valve
- Copper and stainless steel tubing
- Pressure check point



RAF-60 Pressure Reducing Control Valve

Ref	Name
1	Self-cleaning screen filter
2	Cock valve
3	Needle valve
4	2-W pilot P-161

Nominal Diameter		Recommended Flow Rate			
		[m <sup>3</sup> /h]		[gpm]	
mm	inch	Min.	Max.	Min.	Max.
50	2	3	41	13	180
65	2.5	4	70	18	308
80-65-80	3D	4	70	18	308
80	3	7	95	31	418
100-80-100	4D	7	95	31	418
100	4	15	177	66	779
125-100-125	5	15	177	66	779
150-100-150	6D	15	177	66	779
150	6	15	240	66	1056
200	8	40	430	176	1893
250	10	80	822	352	3618
300	12	100	822	440	3618
350-300-350	14D	100	822	440	3618
350	14	200	1170	880	5150
400	16	200	1233	880	5428

## SPRING SELECTION

### Pilot P-161

Setting range [Bar]	Color of spring
2-10 (standard)	Green
0.5-4	Blue
0.5-6	Red
2-16	Yellow

Nominal diameter only, for full dimensions please refer to engineering department.