

IOM ULTRAF 01

Ultrasonic Hydrometer Manual Control
On/Off with Pulse
1.5"-8"



DESCRIPTION

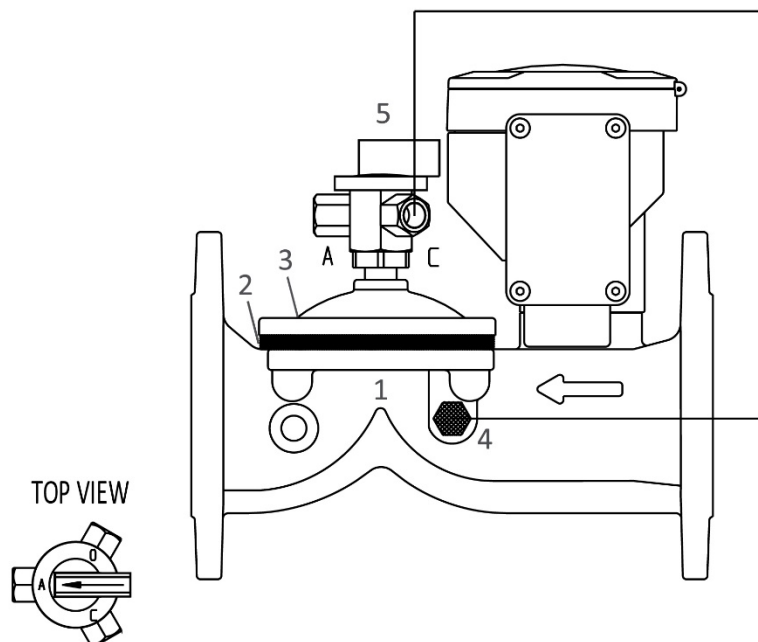
This Ultrasonic Hydrometer is a NC (Normally Closed) on/off valve that can be operated manually by means of the 3-way selector 5.

INSTALLATION

- Before installing the Ultraf, flush the pipeline to remove scale, dirt and other particles that might affect the valve's performance.
- Install the Ultraf as indicated by the arrow on the valve's body, showing flow direction.
- It is recommended to install isolation valves upstream and downstream the control valve.
- Turn the 3-way selector 5 to the "Close" position and turn on the water supply to the Ultraf.
- Check for leaks; tighten bolts & fittings if necessary.

PARTS LIST

1. Body
2. Cover
3. Diaphragm
4. Self-Flushing "Finger" Filter
5. Three-Way Selector



OPERATING INSTRUCTIONS

1. To open the Ultraf, turn the 3-way selector to the “Auto” or “Open” position.
2. To close the Ultraf, turn the 3-way selector to the “Close” position.

MAINTENANCE

- No maintenance is required. However, from time to time it is recommended to rotate the 3-way selector 360° to prevent sticking by sediments.
- It is recommended that the Ultraf be easily accessible as well as clearly marked to prevent damage.
- In freezing climates, the valve should be dismantled, and water drained during the winter months.

TROUBLESHOOTING ULTRAF-01

PROBLEM	CAUSE	CHECK	SOLUTION
The ULTRAF does not open.	<ol style="list-style-type: none"> The 3-Way selector 5 is in the 'Close' position. The 3-Way selector 5 is clogged or damaged. 	<ol style="list-style-type: none"> Check state of selector. No water is drained through the 3-Way selector 5. 	<ol style="list-style-type: none"> Turn selector to the 'Open' or 'Auto' position. Turn off water supply to the Ultraf. Dismantle the 3-Way selector and clean connections and drains. Replace if damaged.
The ULTRAF does not close.	<ol style="list-style-type: none"> The 3-Way selector 5 is in 'Auto' or 'Open' position. Foreign object on sealing seat. Damaged diaphragm. Clogged self-flushing filter 4 or hydraulic control connections. 	<ol style="list-style-type: none"> Check state of selector. Some water is still flowing through the valve. Water is constantly flowing through the 3-way selector (5) when in 'open' or 'close' position. 	<ol style="list-style-type: none"> Turn selector to the 'Close' position. & 3. Turn off water supply to the valve. Disassemble the cover and the diaphragm and remove the foreign object. Check diaphragm, body and cover for damage. Replace if needed. Reassemble and activate. Turn off water supply to the valve. Disassemble the filter and the hydraulic connections. Clean or replace if needed. Reassemble and activate.