



IOM RAF 63B

Pressure Reducing Valve
1" - 14"



 **RAPHAEL**

Apr-24

DESCRIPTION

This pressure-reducing valve is an automatic control valve designed to reduce a higher upstream pressure into a preset lower downstream pressure, and to maintain this pressure constantly regardless of flowrate or upstream pressure fluctuations.

INSTALLATION

- Before installing the valve, flush the pipeline to remove scale, dirt and other particles that might affect the valve's performance.
- Install the valve as indicated by the arrow on the valve's cover, showing flow direction.
- It is recommended to install isolation valves (butterfly valves type B7G) upstream and downstream the control valve.
- Turn the 3-way selector #5 to the "Close" position and turn on the water supply to the valve.
- Check for leaks; tighten bolts & fittings if necessary.

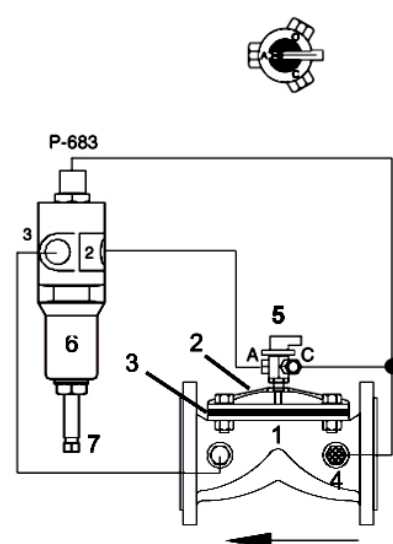
PARTS LIST

1. Body
2. Cover
3. Diaphragm
4. Self-Flushing "Finger" Filter
5. 3-Way Selector
6. 3-Way "Positioning" Pilot Model P683
7. Pressure adjusting screw.

FRONT VIEW



TOP VIEW



OPERATING INSTRUCTIONS

1. Make sure that there is a downstream flow demand.
2. Turn adjusting screw #7 clockwise all the way.
3. Turn the 3-way selector #5 to the "Auto" position.
4. Turn adjusting screw #7 counterclockwise, until water will be discharged from the bottom of pilot #6 and the valve will start to open.
5. To increase downstream pressure, continue to turn adjusting screw #7 counterclockwise one (1) turn at a time, allowing some time between turns for the valve to respond. Check downstream pressure until required pressure is achieved.
6. To decrease downstream pressure, turn adjusting screw #7 clockwise one (1) turn at a time, allowing some time between turns for the valve to respond. Check downstream pressure until required pressure is achieved.

To open the valve completely, turn the 3-way selector #5 to the "Open" position.

Please note that by so doing the pressure downstream will be as high as the pressure upstream.

To close the valve, turn the 3-way selector #5 to the "Close" position.

To maintain preset pressure, turn the 3-way selector to the "Auto" position.

MAINTENANCE

- No maintenance is required. However, from time to time it is recommended to rotate the 3-way selector 360° to prevent sticking by sediments.
- Check downstream pressure. Adjust if required.
- It is recommended that the valve will be easily accessible as well as clearly marked to prevent damage.
- In freezing climates, the valve should be dismantled, and water drained during the winter months.

TROUBLESHOOTING RAF 63

PROBLEM	CAUSE	CHECK	SOLUTION
The valve does not open.	<ol style="list-style-type: none"> 1. The 3-Way selector (5) is in the 'Close' position. 2. Blocked pilot. 	<ol style="list-style-type: none"> 1. Check state of selector. 2. No water coming out of drain. 	<ol style="list-style-type: none"> 1. Turn selector to the 'Auto' position. 2. Turn off water supply to the valve. Dismantle and clean drain connection in pilot. <p>Reassemble and activate.</p>
The valve does not close.	<ol style="list-style-type: none"> 1. The 3-Way selector is in the 'Open' position. 2. Foreign object on diaphragm. 3. Blocked self flushing filter (4). 	<ol style="list-style-type: none"> 1. Check state of selector. 2. Poor water flow downstream. 3. Very little flow from port # 4 when the tube is disconnected. 	<ol style="list-style-type: none"> 1. Turn selector to the 'Auto' or 'Close' position. 2. Turn off water supply to the valve. Remove the cover and take away the foreign object. Check that diaphragm body and cover are not damaged. Reassemble and activate. 3. Turn off water supply to the valve. Remove filter (4). Clean or replace if needed. Reassemble and activate.
Unstable pressure.	<ol style="list-style-type: none"> 1. Blocked or damaged pilot. 	<ol style="list-style-type: none"> 1. Unstable pressure downstream of the valve. 	<ol style="list-style-type: none"> 1. Turn off water supply to the valve. Dismantle and clean drains in pilot. Check membrane. In case of internal parts wear, change pilot. Reassemble and activate.