



IOM RAF 0G NC

ON/OFF N.C. Hydraulic Remote Control Valve
w/Galit & Manual Override 2"-12"

RAPHAEL VALVES INDUSTRIES

DESCRIPTION

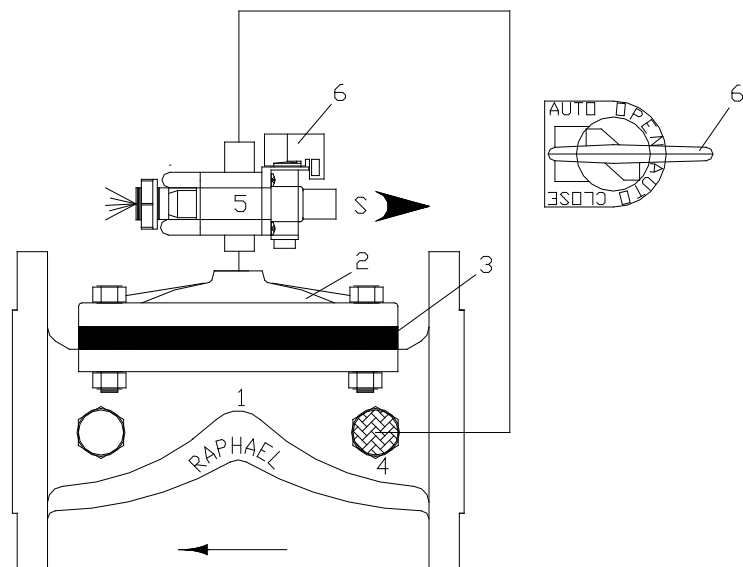
This valve is a normally closed hydraulic on/off control valve that can be operated by a hydraulic remote control (Galit) # 5, or manually, by means of the Manual Override # 6. “Normally” means the state of the valve when the hydraulic relay is not pressurized.

INSTALLATION

- Before installing the valve, flush the pipeline to remove scale, dirt and other particles that might affect the valve’s performance.
- Install the valve as indicated by the arrow on the valve’s cover, showing flow direction.
- It is recommended to install isolation valves (butterfly valves type B8) upstream and downstream the control valve.
- Check for leaks; tighten bolts & fittings if necessary.

PARTS LIST

1. Body
2. Cover
3. Diaphragm
4. Self-Flushing “Finger” Filter
5. Hydraulic Relay “Galit”
6. Manual Override



OPERATING INSTRUCTIONS

1. To open the valve by remote control, turn Manual Override (6) to the “Auto” position and pressurize hydraulic relay.
2. To close the valve by remote control, de-pressurize the hydraulic relay.
3. To manually open the valve, turn the manual override to the “Open” position.
4. To manually close the valve, turn the manual override to the “Close” position.

MAINTENANCE

- No maintenance is required. It is recommended that the valve be easily accessible as well as clearly marked to prevent damage.
- In freezing climates, the valve should be dismantled, and water drained during the winter months

TROUBLESHOOTING RAF-00 N.C.

PROBLEM	CAUSE	CHECK	SOLUTION
RAF does not open.	<ol style="list-style-type: none"> The 3-Way selector 7 is in the "Close" position, or valve 5 is turned off. The solenoid 11 is not energized at pump startup. The solenoid 7 is energized, but the RAF does not open. 	<ol style="list-style-type: none"> Check state of selector 7 and isolation valve 5. Check for loose wires or improper power supply. Check coil by touching it with a small screwdriver. It should be magnetized when solenoid is energized. 	<ol style="list-style-type: none"> Turn selector to the "Auto" position. Open valve 5. Wire properly and activate. Replace coil if needed or turn off water supply to the valve. Dismantle and clean solenoid's vents. Reassemble and activate.
RAF does not close, or the pump will remain ON at shutdown.	<ol style="list-style-type: none"> The 3-Way selector 7 is in the "Open" position or valve 6 is turned off. Power supply is still on. Power supply is off, but the RAF does not close due to blocked or stuck solenoid 11. Foreign object on sealing seat. Damaged diaphragm 3. The Limit Switch 10 will not signal the pump to stop. Blocked self-flushing finger filter (4). 	<ol style="list-style-type: none"> Check state of selector & valve 6. Check electrical supply to the solenoid. While pump is running, check by manually closing the valve with the 3-way selector 7 (attention: do not "deadhead" the pump). Small water back flow towards the pump. Water is constantly vented from solenoid. Check that the Raf came to a complete close. No response to manually closing the valve. 	<ol style="list-style-type: none"> Turn selector to the "Auto" position. Open valve 6. Make sure it is being disconnected as the pump starts the shut down process. Turn off water supply to the RAF. Dismantle and clean the solenoid's vents. Replace if necessary. Reassemble and activate. Turn off water supply to the valve. Dismantle cover 2 and diaphragm 3. Remove foreign object. Check that diaphragm, body and cover are not damaged. Check the integrity of both non return valves 7 & 8. Replace if required. Make sure all trim ports are open and free of rust deposits. Turn off water supply to the RAF. Check the integrity of the limit switch 10 & wires. Replace as necessary. Reassemble and activate. Turn off water supply to the RAF. Disassemble filter, clean, or replace it. Reassemble and activate.

RAPHAEL, founded in 1949, is the first Israeli manufacturer of water control valves. RAPHAEL's research department constantly strives to introduce new and innovative products and solutions for water control systems including water works, fire-protection and irrigation systems.



Waterworks



Fire Protection



Irrigation



Smart Solutions

 **RAPHAEL**

RAPHAEL Valves Industries (1975) Ltd.

North Industrial Zone Or Akiva, 3063927 P.O.Box 555, Israel

Tel. +972 4 6263555 | info@raphael-valves.com | raphael-valves.com