



IOM RAF 01

Manual Control Valve 3-Way Cock Valve 1"-16"

RAPHAEL VALVES INDUSTRIES

DESCRIPTION

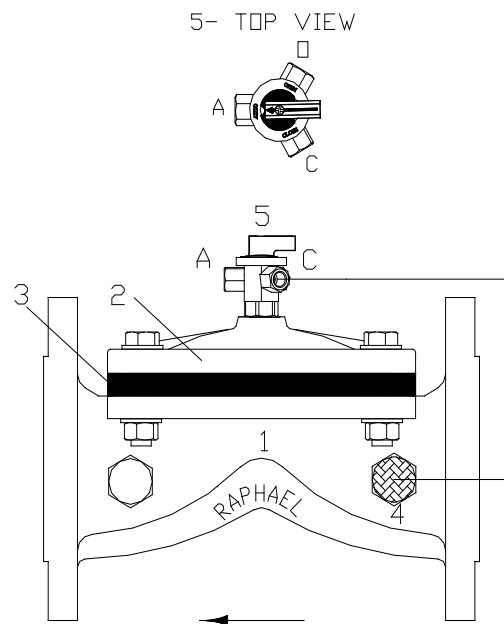
This valve is a hydraulic on/off control valve that can be operated manually by means of the 3-way selector (5).

INSTALLATION

- Before installing the valve, flush the pipeline to remove scale, dirt and other particles that might affect the valve's performance.
- Install the valve as indicated by the arrow on the valve's cover, showing flow direction.
- It is recommended to install isolation valves (butterfly valves type B8) upstream and downstream the control valve.
- Check for leaks; tighten bolts & fittings if necessary.

PARTS LIST

1. Body
2. Cover
3. Diaphragm
4. Self-Flushing "Finger" Filter
5. Three-Way Selector



OPERATING INSTRUCTIONS

1. To open the valve, turn the 3-way selector to the "Auto" or "Open" position.
2. To close the valve, turn the 3-way selector to the "Close" position.

MAINTENANCE

- No maintenance is required. However, from time to time it is recommended to rotate the 3-way selector 360° to prevent sticking by sediments.
- It is recommended that the valve be easily accessible as well as clearly marked to prevent damage.
- In freezing climates, the valve should be dismantled, and water drained during the winter months.

TROUBLESHOOTING RAF-01

PROBLEM	CAUSE	CHECK	SOLUTION
The valve does not open.	<ol style="list-style-type: none"> 1. The 3-Way selector (5) is in the 'Close' position. 2. The 3-Way selector (5) is clogged or damaged. 	<ol style="list-style-type: none"> 1. Check state of selector. 2. No water is drained through the 3-Way selector (5). 	<ol style="list-style-type: none"> 1. Turn selector to the 'Open' or 'Auto' position. 2. Turn off water supply to the valve. Dismantle the 3-Way selector and clean connections and drains. Replace if damaged.
The valve does not close.	<ol style="list-style-type: none"> 1. The 3-Way selector (5) is in 'Auto' or 'Open' position. 2. Foreign object on sealing seat. 3. Damaged diaphragm. 4. Clogged self-flushing filter (4) or hydraulic control connections. 	<ol style="list-style-type: none"> 1. Check state of selector. 2. Some water is still flowing through the valve. 3. Water is constantly flowing through the 3-way selector (5) when in 'open' or 'close' position. 	<ol style="list-style-type: none"> 1. Turn selector to the 'Close' position. 2. Turn off water supply to the valve. Disassemble the cover and the diaphragm and remove the foreign object. Check diaphragm, body, and cover for damage. Replace if needed. Reassemble and activate. 3. Turn off water supply to the valve. Disassemble the filter and the hydraulic connections. Clean or replace if needed. Reassemble and activate.

RAPHAEL, founded in 1949, is the first Israeli manufacturer of water control valves. RAPHAEL 's research department constantly strives to introduce new and innovative products and solutions for water control systems including water works, fire-protection and irrigation systems.



Waterworks



Fire Protection



Irrigation



Smart Solutions

 **RAPHAEL**

RAPHAEL Valves Industries (1975) Ltd.

North Industrial Zone Or Akiva, 3063927 P.O.Box 555, Israel

Tel. +972 4 6263555 | info@raphael-valves.com | raphael-valves.com