



## RAF-P 83

### Pressure Sustaining Control Valve 3-W Plastic Pilot

**Pressure rating PN-10**  
Nominal Diameter 1 1/2" - 5"

The **RAF-P 83** pressure sustaining control valve is line pressure hydraulically actuated, 3-W plastic pilot.

The **RAF-P 83** pressure sustaining control valve maintains a minimum upstream pressure, as set on the 3-W pressure sustaining plastic pilot, regardless of flow changes.

The **RAF-P 83** will gradually open should upstream pressure exceed 3-W pilot set pressure.

The 3-W pilot configuration together with Raphael's patented diaphragm enables smooth and precise upstream pressure control.

### Typical Applications

Use the **RAF-P 83** valve to maintain a constant upstream pressure or avoid an undesirable high pressure.



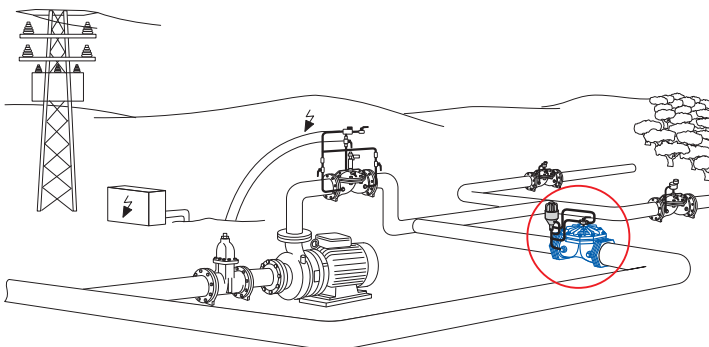
### Standard Controls

**RAF-P 83** pressure sustaining valve controls with Raphael's 3-W pressure sustaining plastic pilot, polyethylene plastic tubing and nylon fittings.

### Adjustments

Minimum upstream pressure adjustment up to 7 bars.

For pressure setting by pilot screw adjustment, please refer to available springs list.

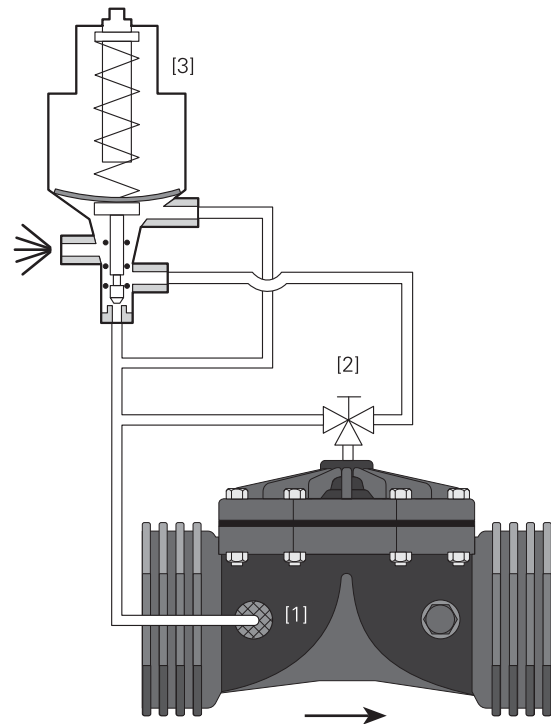


## Features

- Basic RAF-P valve
- Self-cleaning screen filter
- 3-W plastic pilot PC
- Polyethylene plastic tubing
- 3-W cock valve
- Pressure check point

## Optional Features

- Large capacity external filter
- Glycerin filled pressure gauge



**RAF-P 83** Pressure Sustaining Control Valve

## Part list

- [1] Self-cleaning screen filter
- [2] 3-W cock valve
- [3] 3-W plastic pilot PC

## Recommended Flow

Nominal Diameter		Max flow Rate	
[Inch]	[mm]	[m <sup>3</sup> /h]	[gpm]
1.5"	40	25	110
2"	50	25	110
2"S	50S	45	198
2.5"	65	45	198
3"	80	45	198
3"S	80S	120	528
4"	100	120	528
5"	125	120	528

For full dimensions please refer to engineering bulletin.

## Spring Selection

Plastic pilot PC

	Grey Default	Green	Blue
[bar]	2.5-7	1-2.5	0.5-1.5
[psi]	35-100	14-35	7-22

On/Off

PRV

PSV

Pilots and Accessories

Engineering bulletin